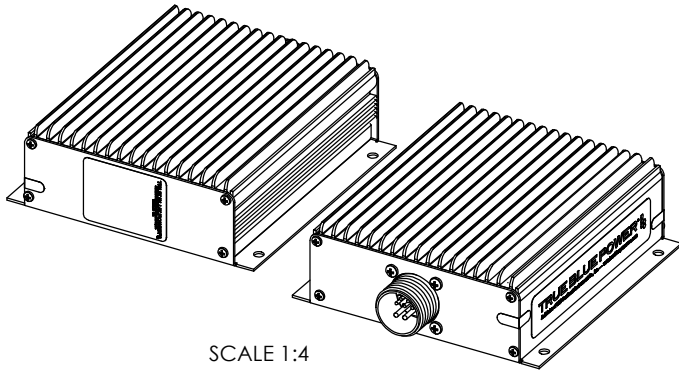
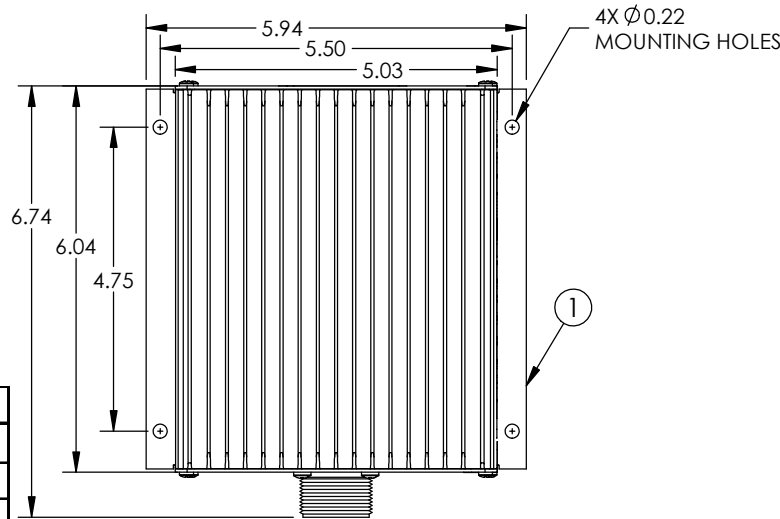


Configuration			
Dash #	Model #	Assembly	Nameplate
-1	TI250	9017929	9018039-1
-2	TI254	9017929-1	9018039-2
-3	TI256	9017929-2	9018039-3
-4	TI256	9017929-3	9018039-3
-5	TI250	9017929-4	9018039-4

Revision				
ECO	Rev.	Description	Date	Approved
		See obsolete drawing for revision history.		
6710	J	Update Connector Pinout table to match Specs.	01/10/17	KW/CAS
6774	K	Weight in title block was Concentricity.	07/06/17	ScH/VAA
7087	L	Updated altitude from 55,000 to 70,000 feet.	07/25/19	VAA/BAW
7713	M	Added -5 configuration.	01/03/24	VAA/WVC

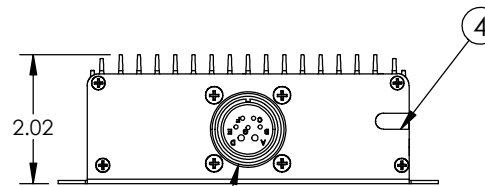


SCALE 1:4

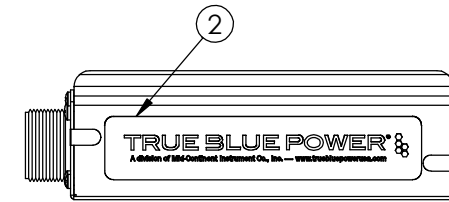


	Connector Pinout	
	-1	-2
A	20-36VDC Input	20-36VDC Input
B	115VAC Output	115VAC Output
C	AC Return	AC Return
D	DC Return	DC Return
E	Remote On/Off	Fault Indication
F	Fault Indication	Remote On/Off
G	Remote Return	Remote Return
	-3	-4
A	20-36VDC Input	DC Return
B	115VAC Output	AC Return
C	AC Return	Remote On/Off
D	DC Return	18-36VDC Input
E	Fault Indication	26VAC Output
F	Remote On/Off	Phase Sync
G	26VAC Output	115VAC Output
	-5	
A	20-36VDC Input	
B	60VAC Output	
C	AC Return	
D	DC Return	
E	Remote On/Off	
F	Fault Indication	
G	Remote Return	

Specifications	
Model Number	See Configuration Table
Power Input	-1/-2/-3/-5 20-36 VDC, 10 Amps nominal @ 28 VDC
	-4 18-36 VDC, 10 Amps nominal @ 28 VDC
	-5 20-36 VDC, 5 Amps nominal @ 28 VDC
Power Output	Single Phase Sine Wave
	-1 115 VAC, 60 Hz, 250 VA
	-2 115 VAC, 400 Hz, 250 VA
	-3/-4 115 VAC, 400 Hz, up to 250 VA 26 VAC, 400 Hz, up to 75 VA 250 VA combined total
	-5 60 VAC, 60 Hz, up to 125 VA
Power Factor	-0.8 to +0.8
Features	90% Efficiency, Remote ON/OFF, Harmonic Distortion under 1.5%
Protection	Overtemp, Short Circuit, Undervoltage,
Qualification	FAA TSO-C73; EASA ETSO-C73 RTCA DO-160G (See Installation Manual)
Temperature	-55°C to +70°C
Altitude	70,000 feet MAX
Mating	MCIA p/n 9016905-1
Connector	(MS3106A-18-9S or equivalent)
Case	Anodized aluminum, blue



Connector per MS3102A-18-9P



Item	Qty	Part Number	Description
1	1	See Config	Assembly, Components
2	1	9017130-1	Label, True Blue Power
3	1	See Config	Nameplate, TI25X
4	2	6018956-1	Decal, Warranty TBP

UNLESS OTHERWISE SPECIFIED, ALL DIMENSIONS ARE IN INCHES.  
TOLERANCE:  
FRACTIONAL= ±1/64  
.XX= ±0.015  
.XXX= ±0.005  
.XXX= ±0.002  
ANGULAR= ±0.5°  
WEIGHT: N.T.E.+5%  
BREAK ALL SHARP EDGES  
THREADS PER MIL-S-7742

DRAWN:  
JDS  
12/23/2013  
  
APPROVED:  
MKN  
12/23/2013

This document discloses proprietary information of Mid-Continent Instrument Co., Inc. It may be reproduced or disclosed only with written permission of Mid-Continent Instrument Co. and is not to be used in any way detrimental to the interests of Mid-Continent Instrument Co., Inc.

**TRUE BLUE POWER**  
A division of Mid-Continent Instrument Co., Inc.

TITLE:  
**Inverter, 115VAC, 250VA, Sine Wave**  
PART NUMBER:  
**6430250**

SCALE: 1:3 DO NOT SCALE THIS DRAWING SHEET: 1 of 1